



FLOW SENSING PROBES

FPP/SPP Series

The FPP/SPP flow sensors are designed to sense static (SPP) or flow (FPP) in the inlet section of VAV (Variable Air Volume) terminal units and fan terminal units. They can also be used to sense pressure at other locations in the main or branch duct systems. Both models are available in two lengths to accommodate many different duct sizes.

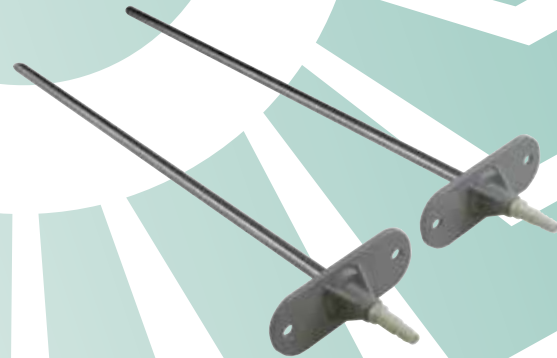
SPECIFICATION:

Probe Material 304 Series stainless steel
 Probe Dimensions..... 6.35 mm (0.250") Diameter
 150 mm (6") or 300 mm (12")
 Bracket Material ABS - UL94-5VB
 Connection 6.35 mm (1/4") nipple for 9.5 mm (3/8") OD polyethylene tubing
 Approvals RoHS compliant

TYPICAL INSTALLATION:

1. Select an area for the probe 5 to 8 duct diameters from any elbows, obstructions, or significant changes in the duct area.
2. Drill a 8 mm (5/16") hole and insert the probe.
3. Determine the duct's flow direction and install based on the unit's flow arrow imprint.
4. Install the unit horizontally to assure accurate velocity readings.
5. Attach using two self-tapping screws inserted in the 4.75 mm (3/16") mounting holes.

The FPP/SPP Series have 6.35 mm (1/4") OD, 9.5 mm barbed fitting for use with (3/8") OD tubing. During installation check that there are no sharp bends in the tubing at any connection. Bends and creases may leak overtime as the tubing ages.



PART NUMBER SELECTED

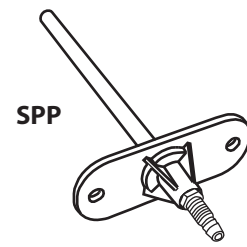
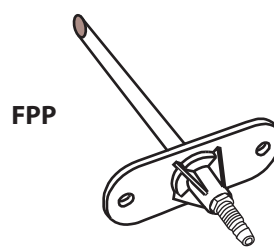
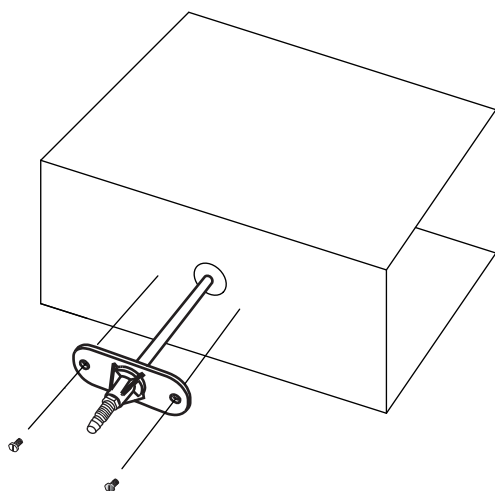
PRODUCT SELECTION INFORMATION:

MODEL	Product Description
FPP	Flow Pressure Probe (Impact)
SPP	Static Pressure Probe (Aspiration)

CODE	Probe Length
6	150 mm (6")
12	300 mm (12")

FPP 6

Greystone Energy Systems, Inc. reserves the right to make design modifications without prior notice.



Dimensions:

